

# LMDH

## Pro IP Camera



### LMDHRL400

- Pro IP Dome
- 1/2.8" SONY Starvis Back-illuminated CMOS Sensor
- H.265+/H.265/H.264+/H.264 Compression Method
- 3.6mm Fixed Lens
- IR Distance 20M Max.
- With Internal POE

www.longse.com

Data Subject To Change Without Notice

SPECIFICATION	
Model NO.	LMDHRL400
<b>Camera</b>	
Image Sensor	1/2.8" SONY Starvis Back-illuminated CMOS sensor
Resolution	4MP
Effective Pixels	2616 (H)*1964 (V)
Compression	H.264/H.264+/H.265/H.265+/JPEG/AVI /MJPEG
Audio Compression	G711A/U,AAC
TV System	PAL/NTSC
Electronic Shutter Time	Auto: 1/3-1/100000Sec
Minimum Illumination	Color: 0.003 lux@F1.6,AGC ON; B/W :0 lux with IR
S/N Ratio	60dB
Scanning System	Progressive
Video Output	Network
Reset Button	Optional
<b>Lens</b>	
Focal Length & FOV	2.8 mm, horizontal FOV 107°, vertical FOV 57°, diagonal FOV 128° 3.6 mm, horizontal FOV 88°, vertical FOV 44°, diagonal FOV 105°
Lens Type	Fixed focal lens, 2.8 and 3.6 mm optional
Focus Control	Fixed
Aperture	F1.6
Pixels	4MP
<b>Night Vision</b>	
Infrared LED	14μ x 12PCS
Infrared Distance	20M
IR Status	Auto Control
IR Power On	Smart, Manual & Timed mode
<b>Network</b>	
Ethernet	RJ-45 (10/100Base-T)
Wireless	N/A
Protocol	TCP/IP,IPv4/v6, ICMP, HTTP, HTTPS, FTP, DHCP, DNS, DDNS, RTP, RTSP, RTCP,PPPoE, NTP, SMTP, UDP, SNMP,Qos,802.1x
ONVIF	Support ONVIF 19.12(Profile S/T/G)
P2P	YES
POE	Internal, Support IEEE 802.3af
Video Delay	0.3S (Within the Lan)
Main Stream 1	2592*1944@30fp
Main Stream 2	2560*1440@30fp
Main Stream 3	1920*1080@30fps 1280*720@30fps
Sub Stream 1	1280*720@30fps
Sub Stream 2	720*480@30fps
Sub Stream 3	352*288@30fps
Tri Stream	1280*720@30fps 720*480@30fps 352*288@30fps
IE Brower	IE8-11, Google Chrome, Firefox , Mac Safari
Smart Phone	iPhone, Android
<b>AI Function</b>	
Intelligent Analysis	Face Detection,Intrusion Detetion(based on human and Vehicle Detection), Line Cross Detetion(based on human and Vehicle Detection), Loiter Detetion, People Gather Detetion(based on human detection),Motion detection based on human detection
<b>Camera Features</b>	
Day/Night	Color/ B&W (IR-CUT )
Image Config	Saturation/Brightness/Contrast /Sharpness, Mirror, 3D NR , White Balance, Anti Flicker, Video Tampering, HLC, Distortion
Full Color	N/A
Corridor Pattern	Support
Defog Mode	Support
ROI	Support
BLC	Support
WDR	120dB
Motion Detection	Support(support enable the detection based on human movement only)
Privacy Masking	3 Rectangular Zone
Recording Mode	NVR/CMS/Web
Language	Chinese Simplified, Chinese Traditional, English, Bulgarian, Polish, Arabic, German, Russian, French, Korean, Portuguese, Japanese, Turkish, Spanish, Hebrew, Italian,Nederlands,Czech, Vietnamese
<b>Interface</b>	
Audio	Optional Audio IN/OUT
Alarm	Optional 1 Channel Input/Ouput
SD Card Slot	Optional Internal, Support Max 1TB,Built in 4G Storage
RS485	N/A
<b>General</b>	
Housing	Metal , IP67
Anti-cut Bracket	NO
IR Cut Filter	YES
Operation Temperature	-20°C ~ +60°C RH95% Max
Storage Temperature	-20°C ~ +60°C RH95% Max
Power Source	DC12V±10%, 650mA
Dimension	∅ 110 x 76(H) mm
Weight	450g

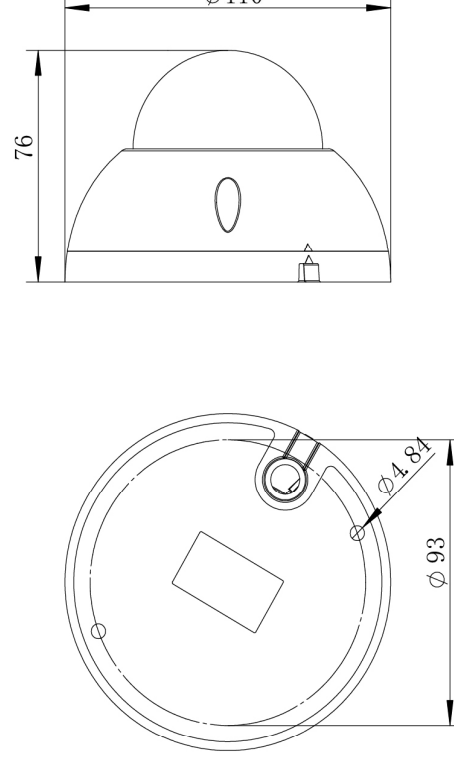
www.longse.com

Data Subject To Change Without Notice

### Technical Specifications

Model	LMDH
Material	Aluminum & SECC & PC
Dimension(WxHxD)	∅110 x 76mm
Weight	450g (with packaging)
Color	Sand Grain White
Operating Temperature	-20°C ~ +60°C
Humidity	< 95% RH
Optional accessories	B173-01

### Dimensions (mm)



www.longse.com

Data Subject To Change Without Notice